

## CPS200HD Complete Kit

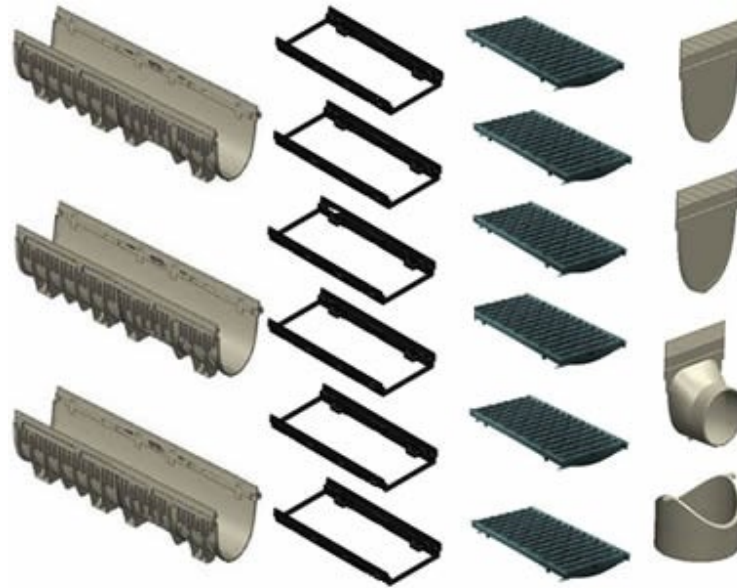
Series

CPS200HD

Cover Sheet

Pro Plus 200

### 8" Wide Heavy Duty Frame and Grate Trench Drain Kit 10 - 99 Foot Complete



### Heavy Duty Frame and Grate - Glass Fiber Polyester 8 Inch Wide - C Class Ductile Iron Grate Standard Complete system - Each Kit Includes:

- Specified number of 1 meter sections of trench drain.
- Specified Number of 1/2 meter ductile iron frames.
- Specified number of 1/2 meter C class ductile iron slotted grates.
- 1 - Bottom outlet connector.
- 2 - Solid End Caps.
- 1 - 4" End Outlet.
- Grate Locks Included.

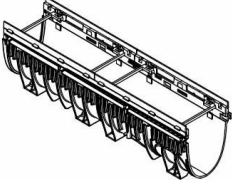
### Key Advantages of the Innovative Channel Material SMC/GRP:

- Shatterproof and extremely resistant to abrasion.
- Frost, heat and rust resistant.
- Lightweight.
- Non-porous structure with a smooth surface
- Resistant to chemicals - Resistant to oil, gasoline, hot asphalt and tartaric acid.
- Non-flammable - Free of halogens, asbestos and toxic heavy metals.
- An excellent cost / performance material - Recyclable.

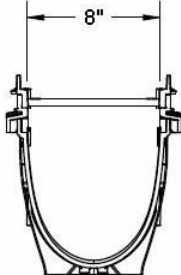


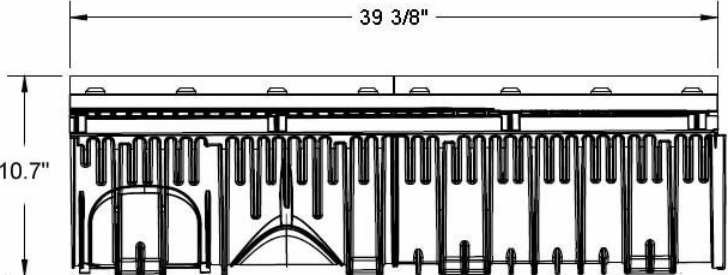
<b>Number</b>  <b>200C HD Channel</b>	<b>Series</b>  <b>CPS200HD</b> Trench Drain Channel with DI Frame Pro Plus 200
---	--

200C HD Flat Channel with DI Frame ( Standard )

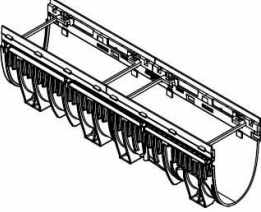


**200-C HD Flat**

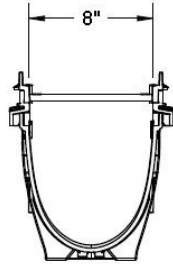


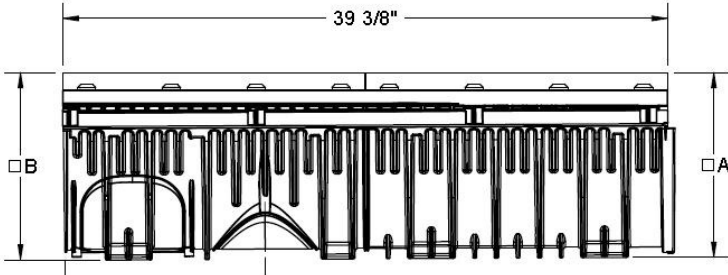


200C HD Presloped Channel with DI Frame ( Preslope Upgrade )

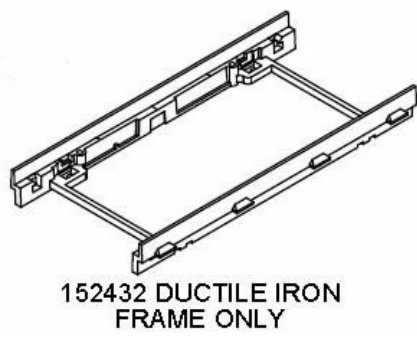



**200-C HD Presloped**





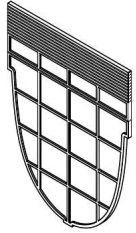
CHANNEL NUMBER + 152442P	DIM "A"	DIM "B"	WEIGHT (LBS)
200C	10.7	10.7	30.5
200C01	12.0	12.2	33.7
200C02	12.2	12.4	33.9
200C03	12.4	12.6	34.1
200C04	12.6	12.8	34.2
200C05	12.8	13.0	34.4
200C05N	13.0	13.0	34.6
200C06	13.0	13.2	34.7
200C07	13.2	13.4	34.9
200C08	13.4	13.6	35.1
200C09	13.6	13.8	35.3
200C10	13.8	14.0	35.5
200C11	14.0	14.2	38.6
200C12	14.2	14.4	38.8
200C13	14.4	14.6	39.0
200C14	14.6	14.8	39.1
200C15	14.8	15.0	39.3
200C15N	15.0	15.0	39.5
200C16	15.0	15.2	39.6
200C17	15.2	15.4	39.8
200C18	15.4	15.6	40.0
200C19	15.6	15.8	40.2
200C20	15.8	16.0	40.4



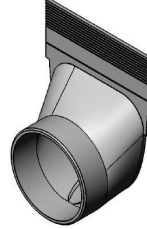
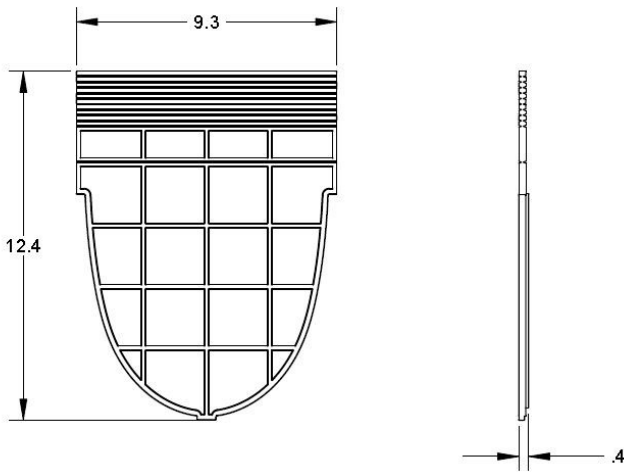
<p><b>Manufacturer</b></p> 	<p><b>Specification</b></p> <p>JOSAM200C SERIES CHANNELS WITH DUCTILE IRON RAIL SHALL BE 39.4" LONG WITH 8" INTERNAL WIDTH AND RADIUS BOTTOM. INTERCONNECTING CHANNEL SECTIONS SHALL BE MADE OF SMC/GRP (SHEET MOLDING COMPOUND / GLASS REINFORCED POLYESTER) MATERIAL AND AVAILABLE WITH AND WITHOUT SLOPE. GRATE OPTIONS FOR LOAD CLASSES A-E WITH PRESSURE OR LOCKING BOLT SECURING DEVICES SHALL BE AVAILABLE, SUPPLIED BY TRENCH DRAIN SUPPLY.</p>
--	---

**DISCLAIMER** - The customer and the customer's architects, engineers, consultants, and other professionals are completely responsible for the selection installation and maintenance of any product purchased from Trench Drain Supply and/or its manufacturers. TRENCH DRAIN SUPPLY MAKES NO WARRANTY, EXPRESS OR IMPLIED, AS TO THE SUITABILITY, DESIGN, MERCHANTABILITY, OR FITNESS OF THE PRODUCT FOR CUSTOMERS APPLICATION. The drawing and information provided remain the property and copyright of the manufacturer listed. The manufacturer reserves the right to modify specification without notice.

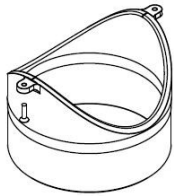
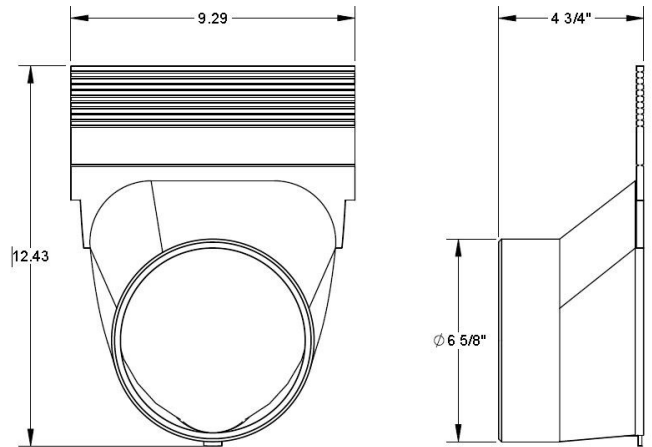
<p><b>Number</b> <b>200-EC / 200-OE6 / 200-OB6</b></p>	<p><b>Series</b> <b>CPS200</b> End Cap Set Pro Plus 200</p>
--	---



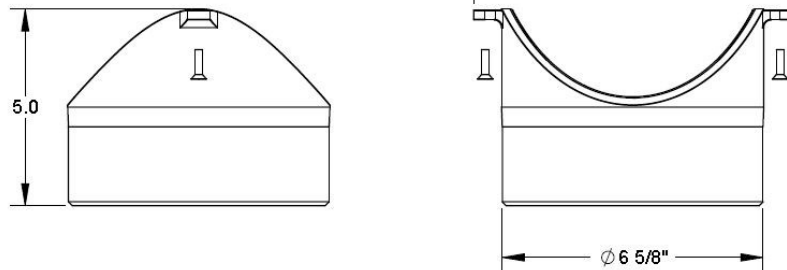
**200-EC Solid End Cap**




**200-OE6 Outlet End Cap**



**200-OB6 Bottom Outlet**



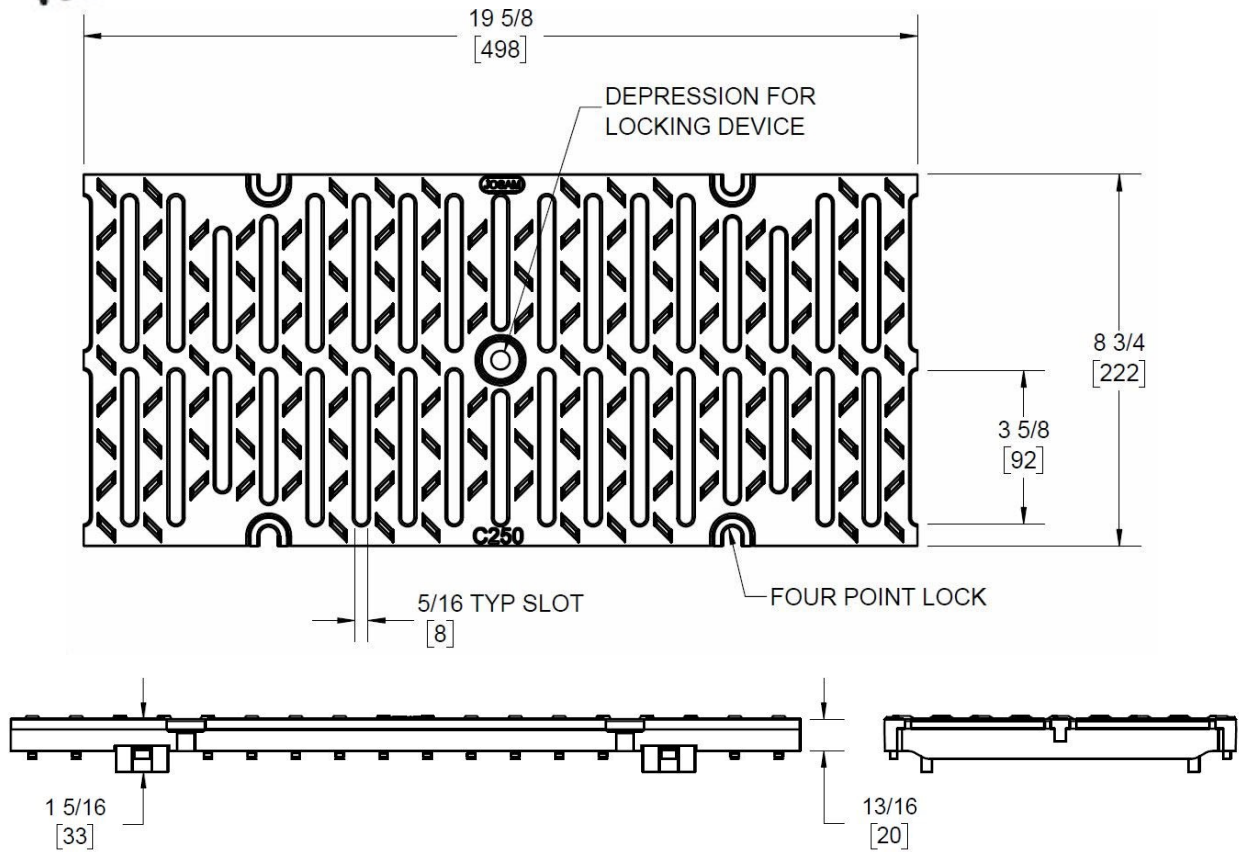
<p><b>Manufacturer</b></p> 	<p><b>Specification</b></p> <p>JOSAM END CAP SET FOR PRO-PLUS 200C 8" INTERNAL WIDTH TRENCH CHANNELS. MADE WITH PVC MATERIAL AND DESIGNED TO FIT SECURELY IN 200C CHANNELS AND OTHER 200C ACCESSORIES, SUPPLIED BY TRENCH DRAIN SUPPLY.</p>
--	---

DISCLAIMER - The customer and the customer's architects, engineers, consultants, and other professionals are completely responsible for the selection installation and maintenance of any product purchased from Trench Drain Supply and/or its manufacturers. TRENCH DRAIN SUPPLY MAKES NO WARRANTY, EXPRESS OR IMPLIED, AS TO THE SUITABILITY, DESIGN, MERCHANTABILITY, OR FITNESS OF THE PRODUCT FOR CUSTOMERS APPLICATION. The drawing and information provided remain the property and copyright of the manufacturer listed. The manufacturer reserves the right to modify specification without notice.

<p><b>Number</b></p> <p style="text-align: center;"><b>200-DIS-C</b></p>	<p><b>Series</b></p> <p style="text-align: center;"><b>CPS200</b></p> <p style="text-align: center;">C Class Ductile Iron Slotted Grate Pro Plus 200</p>
--	--



NOTE:  
FREE AREA IS 38 SQ. IN.  
PER 1/2 METER GRATE



LOCKING BAR (ORDER SEPERATELY)	360142
BOLT DOWN (ORDER SEPERATELY)	360143

**Manufacturer**



**Specification**

JOSAM 200-DIS-C EPOXY-COATED, DUCTILE IRON SLOTTED GRATE WITH CENTER HOLE FOR LOCKING BAR SECUREMENT AND FOUR POINT LOCK. MEETS CLASS C LOADING REQUIREMENTS. MEETS ADA SLOT REQUIREMENTS. SUPPLIED BY TRENCH DRAIN SUPPLY.

DISCLAIMER - The customer and the customer's architects, engineers, consultants, and other professionals are completely responsible for the selection installation and maintenance of any product purchased from Trench Drain Supply and/or its manufacturers. TRENCH DRAIN SUPPLY MAKES NO WARRANTY, EXPRESS OR IMPLIED, AS TO THE SUITABILITY, DESIGN, MERCHANTABILITY, OR FITNESS OF THE PRODUCT FOR CUSTOMERS APPLICATION. The drawing and information provided remain the property and copyright of the manufacturer listed. The manufacturer reserves the right to modify specification without notice.

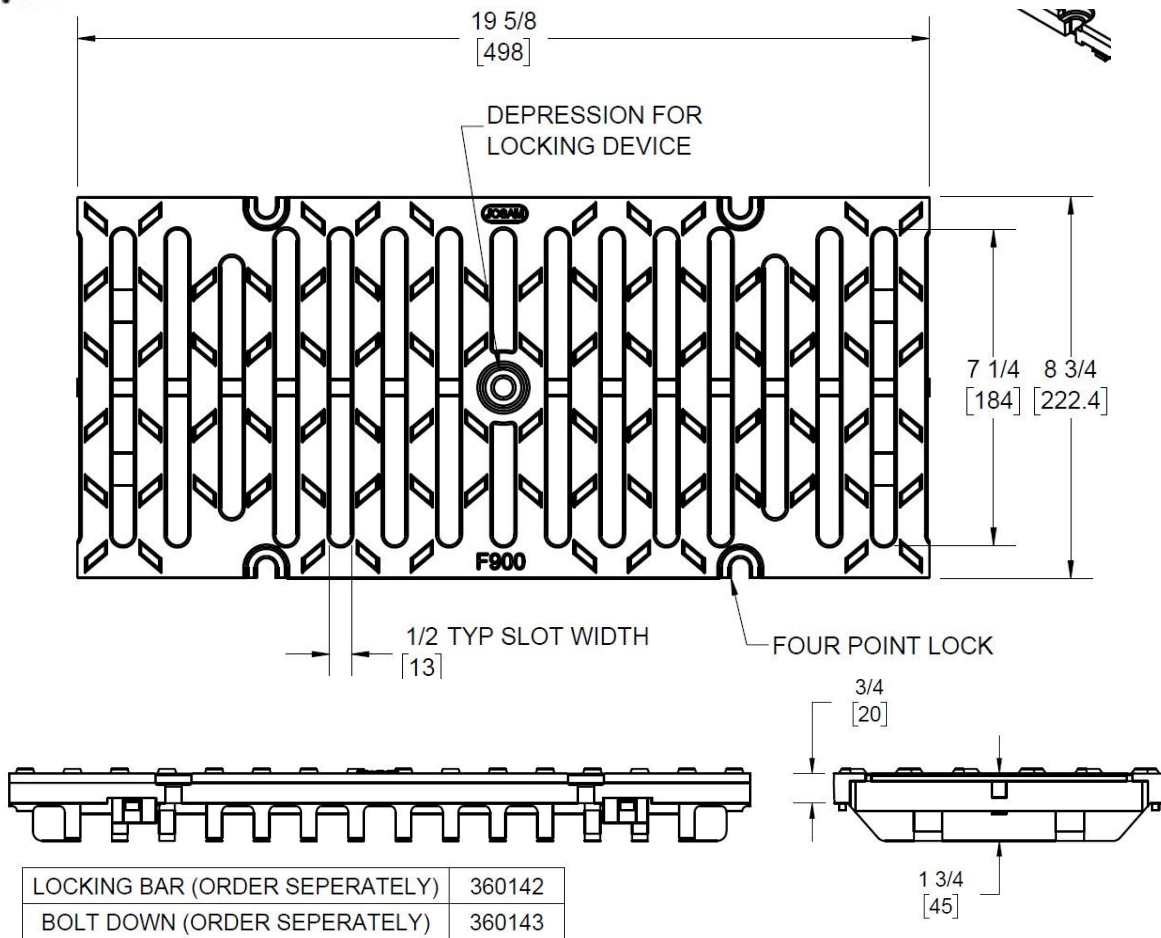


<b>Number</b> <b>200-DIS-F</b>	<b>Series</b> E/F Class Ductile Iron Slotted Grate Pro Plus 200
-----------------------------------	---



E Class Standard  
F Class Requires 200-Rail

NOTE:  
FREE AREA IS 38 SQ. IN.  
PER 1/2 METER GRATE



**Manufacturer**

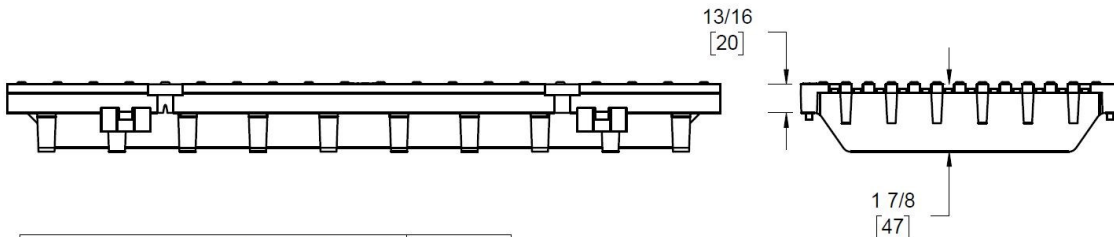
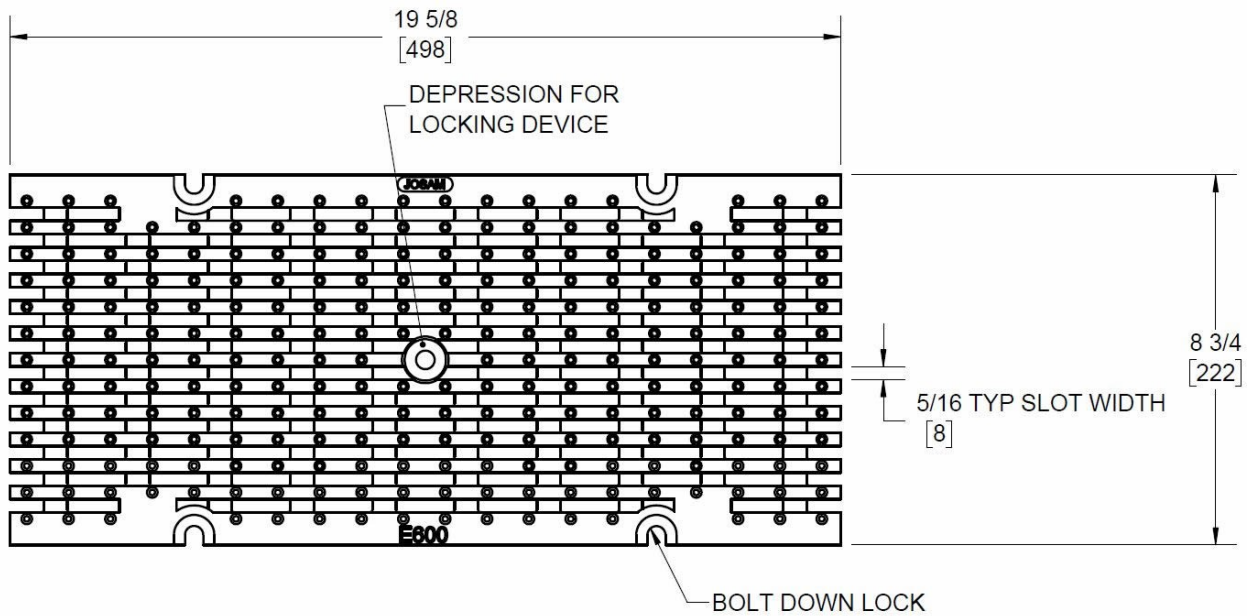


**Specification**

JOSAM 200-DIS-F EPOXY-COATED, DUCTILE IRON SLOTTED GRATE WITH CENTER HOLE FOR LOCKING BAR SECUREMENT AND BOLT DOWN LOCK. MEETS CLASS F LOADING REQUIREMENTS (WITH 200-RAIL). MEETS ADA SLOT REQUIREMENTS. SUPPLIED BY TRENCH DRAIN SUPPLY.

DISCLAIMER - The customer and the customer's architects, engineers, consultants, and other professionals are completely responsible for the selection installation and maintenance of any product purchased from Trench Drain Supply and/or its manufacturers. TRENCH DRAIN SUPPLY MAKES NO WARRANTY, EXPRESS OR IMPLIED, AS TO THE SUITABILITY, DESIGN, MERCHANTABILITY, OR FITNESS OF THE PRODUCT FOR CUSTOMERS APPLICATION. The drawing and information provided remain the property and copyright of the manufacturer listed. The manufacturer reserves the right to modify specification without notice.

<p><b>Number</b></p> <p><b>200-DIL-E-DC</b></p>	<p><b>Series</b></p> <p><b>CPS200</b></p> <p>E Class DI Longitudinal Slotted Grate</p> <p>Pro Plus 200</p>
---	--



LOCKING BAR (ORDER SEPERATELY)	360142
BOLT DOWN (ORDER SEPERATELY)	360143

**Manufacturer**



**Specification**

JOSAM 200-DIL-E-C EPOXY-COATED, DUCTILE IRON SLOTTED GRATE WITH CENTER HOLE FOR LOCKING BAR SECUREMENT AND BOLT DOWN LOCK. SIZE CHANNEL. MEETS CLASS E LOADING REQUIREMENTS. MEETS ADA AND HEELPROOF SLOT REQUIREMENTS., SUPPLIED BY TRENCH DRAIN SUPPLY.

DISCLAIMER - The customer and the customer's architects, engineers, consultants, and other professionals are completely responsible for the selection installation and maintenance of any product purchased from Trench Drain Supply and/or its manufacturers. TRENCH DRAIN SUPPLY MAKES NO WARRANTY, EXPRESS OR IMPLIED, AS TO THE SUITABILITY, DESIGN, MERCHANTABILITY, OR FITNESS OF THE PRODUCT FOR CUSTOMERS APPLICATION. The drawing and information provided remain the property and copyright of the manufacturer listed. The manufacturer reserves the right to modify specification without notice.